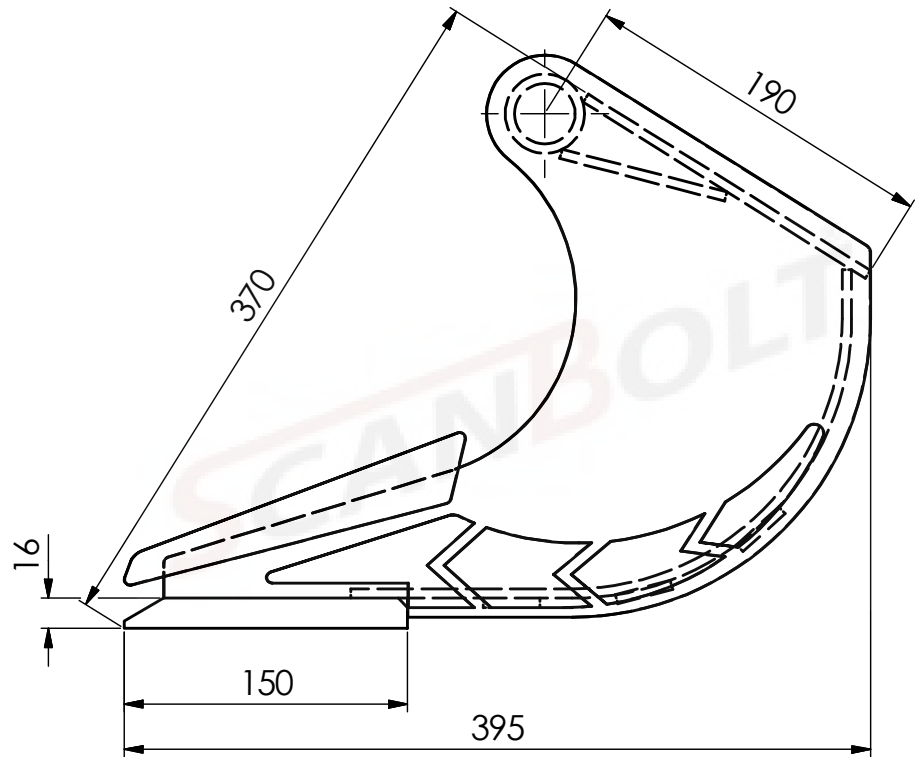
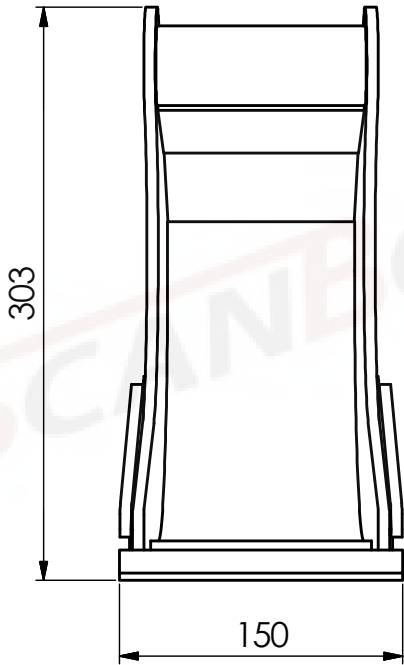


2°

2°



MATERIAL SPECIFICATION

ST52.3
EN8D
HB 400
HB 450
CASTALLOY STEEL

**SCANBOLT®**

DESCRIPTION	15CM CLAY BUCKET
MACHINE CLASS	0.5 - 1.2 TON
WEIGHT	12.4 Kg
HEAPED CAPACITY	7.6 LITERS